

Support Frame for Cable Overlength Q-Fiber

Description

The **Support Frame for Cable Overlength Q-Fiber** is designed for placement in the telecommunication manholes or cable cellars. It is used for arranging and winding the cable overlength, it guarantees correct bend radius of the wound cable. It protects the cable against mechanical damage. The support frame holds 220 m of cable with 10 mm in diameter.

Application

Telecommunication, CATV, Monitoring, Industry, LAN, MAN, WAN, FTTx, PON.

Properties

SZK1-0:

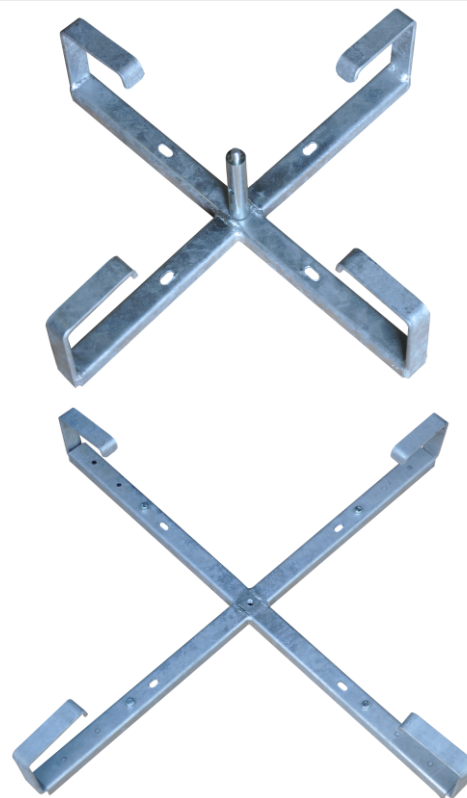
- » Dimensions: 500 x 500 x 95 mm, 600 x 600 x 95 mm, 700 x 700 x 95 mm, 500 x 500 x 135 mm, 600 x 600 x 135 mm, 700 x 700 x 135 mm
- » Capacity: 150 m of cable with 10 mm in diameter
- » Support frame made of galvanised steel

SZK2-0:

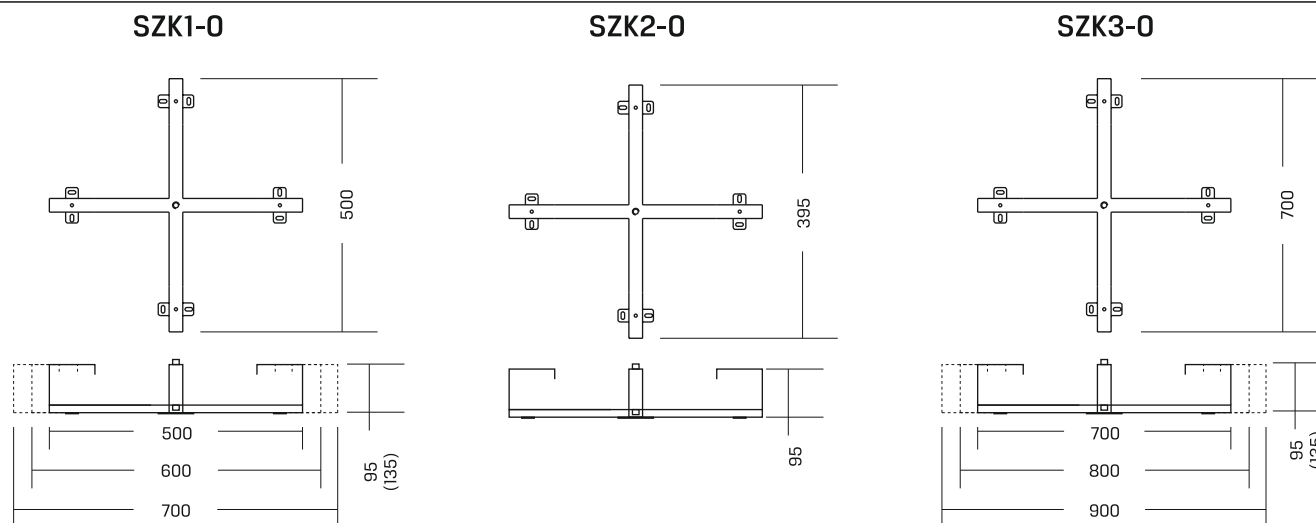
- » Dimensions: 395 x 395 x 95 mm
- » Capacity: 50 m of cable with 10 mm in diameter
- » Support frame made of galvanised steel

SZK3-0:

- » Dimensions: 700 x 700 x 95 mm, 800 x 800 x 95 mm, 900 x 900 x 95 mm, 700 x 700 x 135 mm, 800 x 800 x 135 mm, 900 x 900 x 135 mm,
- » Capacity: 220 m of cable with 10 mm in diameter
- » Support frame made of galvanised steel



Dimensions



How to order

- SZK1-0-95 Cable overlength support frame 500-700 mm height 95 mm
- SZK1-0-135 Cable overlength support frame 500-700 mm height 135 mm
- SZK2-0-95 Cable overlength support frame 395 mm height 95 mm
- SZK3-0-95 Cable overlength support frame 700-900 mm height 95 mm
- SZK3-0-135 Cable overlength support frame 700-900 mm height 135 mm

Information

- » The support frame holds 220 m of cable with 10 mm in diameter
- » Holders for wall mounting
- » Support frame made of galvanised steel