

Rack DIN-3 4U Q-Fiber

Description

Rack DIN-3 4U Q-Fiber designed for installation in a data communication cabinet by means of rack bolts. It has been designed to hold passive elements (up to 13 industrial switches MINI ODF-DIN or ODF-DIN, etc.), active elements equipped in mounting holders for the DIN-3 rail (media converters, switches, fibre-optic extenders, etc.). Such solution facilitates very quick installation and dismantling elements, without the need to use additional tools.

Application

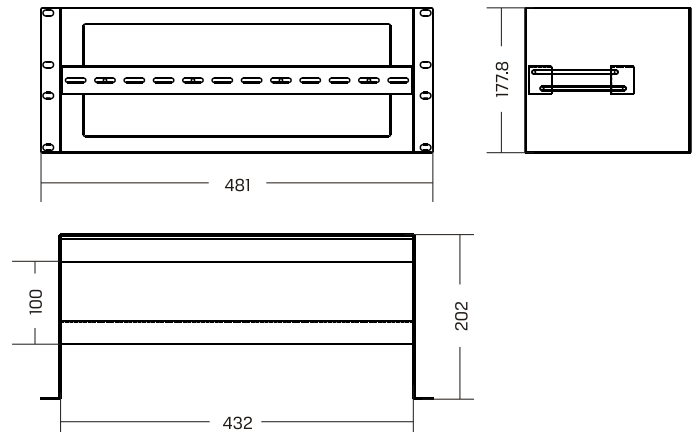
Telecommunication, CATV, Monitoring, Industry, LAN, MAN, WAN, FTTx, PON, Automation.

Properties

- » Made of 1,5 mm steel sheet
- » Opening in the rear wall making it possible to lead cables (wires) out from the back
- » Color: RAL7024 glossy, other colors on request
- » Dimensions [H x W x D]: 177.8x481x202 mm
- » Possibility to move the DIN rail by 100 mm



Photos and dimensions



How to order

PRDIN4U Rack DIN-3 4U*
 * possibility to make a rack shelf 1U, 2U and 3U

Information

- » Rack DIN-3 4U holds up to 13 Industrial Splice Box MINI ODF-DIN or up to 13 Industrial Splice Box ODF-DIN

Standard equipment

- » Mounting bolt M6 (4 pcs)
- » DIN-3 rail (1 pc)

Additional equipment

- » Industrial Splice Box MINI ODF-DIN
- » Industrial Splice Box ODF-DIN
- » Media converter
- » Switch
- » Ethernet Extender